

1	CABINET	1	1100 x 650 x 1300 x 2.3t
2	TURBO BLOWER	1	0.75kw x 12CMM x 200mmAq
3	CARBON INLET	2	3020 x 250
4	CARBON	2	300 x 650 x 500
5	CARBON INLET	2	300 x 250
6	OUTLET FLANGE	1	Ø200
7	LIFT LUG	4	I-NUT M12
8	CONTROL PANEL	1	CONTROL SWITCH
9	POWER CABLE	1	V.C.T.F CABLE
10	INLET FLANGE	1	Ø150
11	CASTER	4	ROTATION 4' STOPPER

\*\*\* CHECK POINTS \*\*\*

A. ---

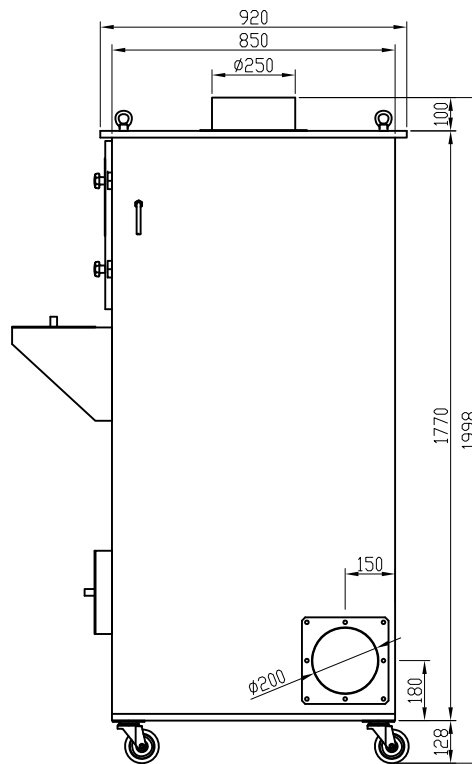
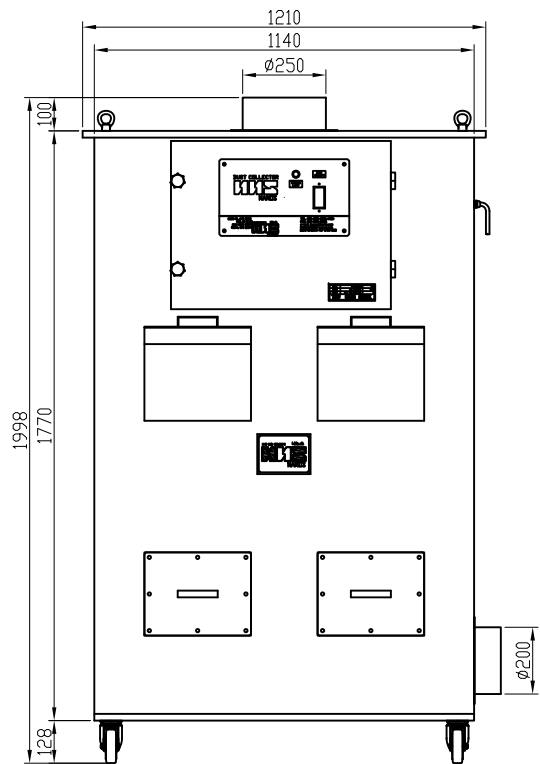
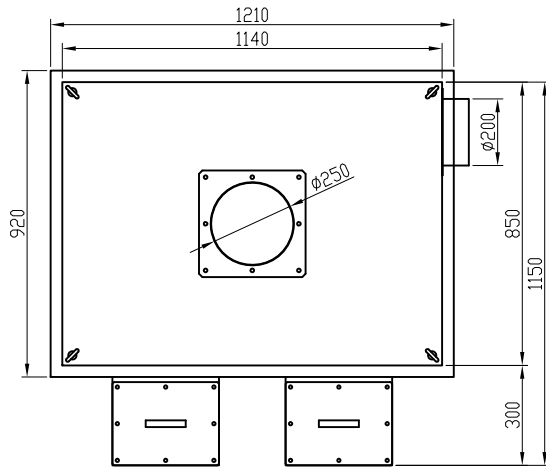
SPECIFICATION			
MODEL NAME	NAC-10	OPTION	-
FAN SPEC.			
FAN DIVISION	TURBO BLOWER		
AIR VOLUME	12 CMM	STATIC	200 mmAq
MOTOR	0.75 kw [ 1 HP ]	POWER	380V x 3P
FILTER SPEC.			
1ST	ACTIVATED CARBON	MATERIAL	CARBON
	SIZE	300 x 650 x 500 x 2STAGET	AREA

\*\*\* PAINT COLOR \*\*\*

BODY : EX8816(S) 5Y 7/1

DOOR : EX8816-DIC546 1/2

 고객맞춤 대표 장비기 www.j-nanos.co.kr	SIZE	A3	CUSTOMER	-
	SCALE	1 / 1	TITLE	A/C TOWER
	DRAWN	APPROVED	NANOS DWG. NO.	NAC-10
	DATE	12.06.01		



1	CABINET	1	1140 x 850 x 1770 x 2.3t
2	TURBO BLOWER	1	1.5kw x 25CMM x 230mmAq
3	CARBON INLET	2	320 x 250
4	CARBON	2	320 x 850 x 800
5	CARBON INLET	2	320 x 250
6	OUTLET FLANGE	1	Ø250
7	LIFT LUG	4	I-NUT M12
8	CONTROL PANEL	1	CONTROL SWITCH
9	POWER CABLE	1	V.C.T.F CABLE
10	INLET FLANGE	1	Ø200
11	CASTER	4	ROTATION 4' STOPPER

\*\*\* CHECK POINTS \*\*\*

A. ---

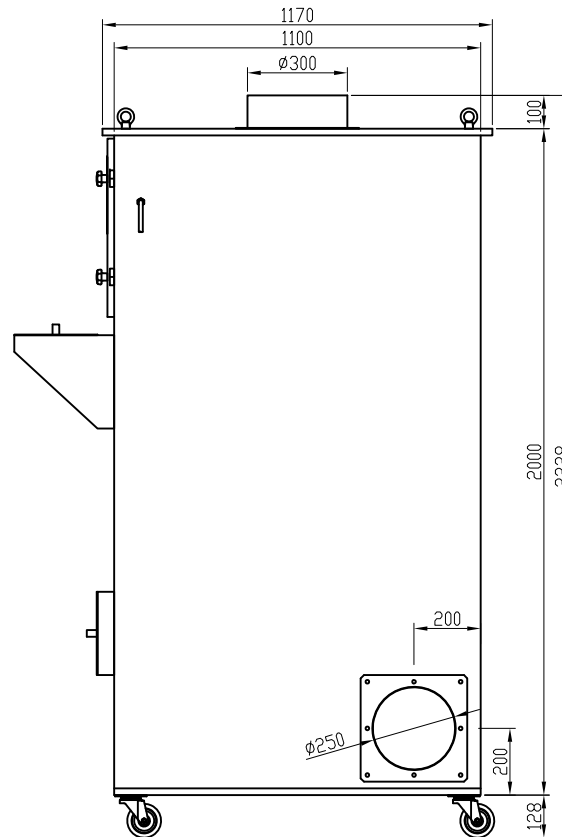
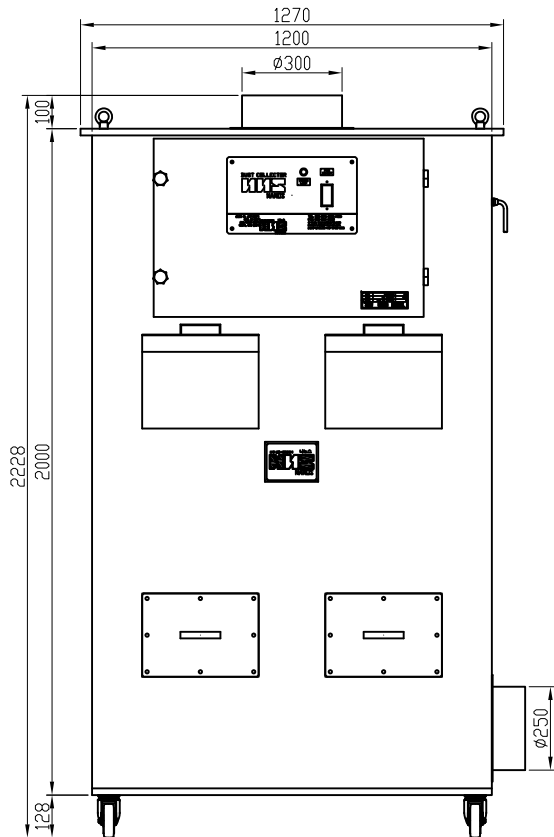
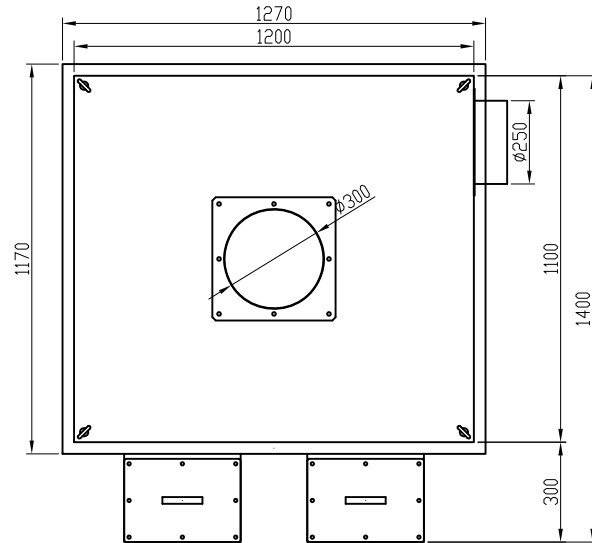
SPECIFICATION				
MODEL NAME	NAC-20	OPTION	-	
FAN SPEC.				
FAN DIVISION	TURBO BLOWER			
AIR VOLUME	25 CMM	STATIC	230 mmAq	
MOTOR	1.5 kw [ 2 HP ]	POWER	380V x 3P	
FILTER SPEC.				
1ST	ACTIVATED CARBON	MATERIAL	CARBON	
	SIZE	320 x 850 x 800 x 2STAGET	AREA	240 kg

\*\*\* PAINT COLOR \*\*\*

BODY : EX8816(S) 5Y 7/1

DOOR : EX8816-DIC546 1/2

 고객맞춤 대표 장비기 www.nanos.co.kr	SIZE	A3	CUSTOMER	-
	SCALE	1 / 1	TITLE	A/C TOWER
	DRAWN	APPROVED	NANOS DWG. NO.	NAC-20
	12.06.01	-		



1	CABINET	1	1200 x 1100 x 2000 x 2.3t
2	TURBO BLOWER	1	2.2kw x 40CMM x 230mmAq
3	CARBON INLET	2	350 x 250
4	CARBON	2	350 x 1100 x 900
5	CARBON INLET	2	350 x 250
6	OUTLET FLANGE	1	Ø300
7	LIFT LUG	4	I-NUT M12
8	CONTROL PANEL	1	CONTROL SWITCH
9	POWER CABLE	1	V.C.T.F CABLE
10	INLET FLANGE	1	Ø250
11	CASTER	4	ROTATION 4' STOPPER

\*\*\* CHECK POINTS \*\*\*

A. ---

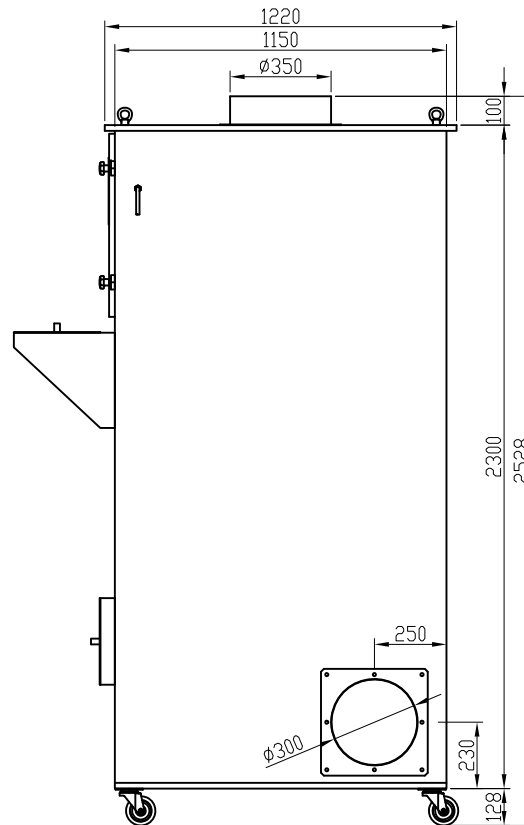
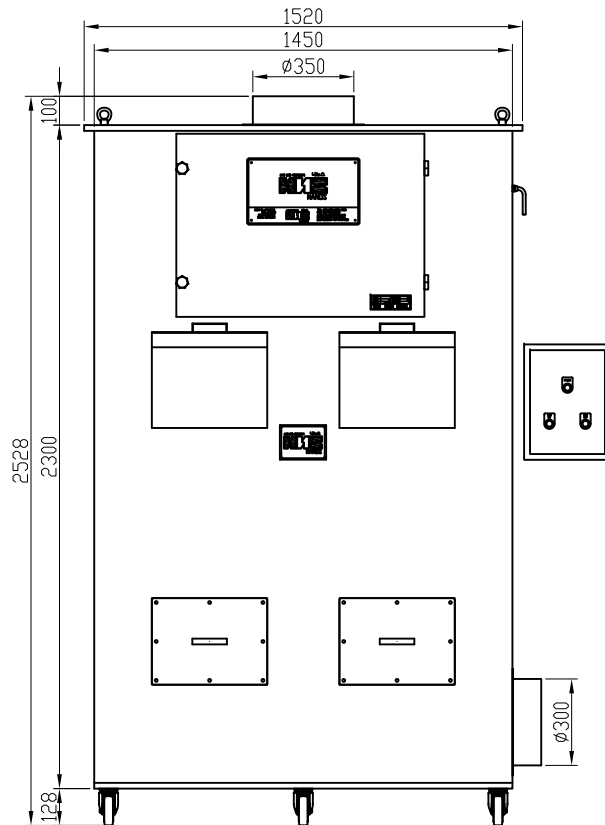
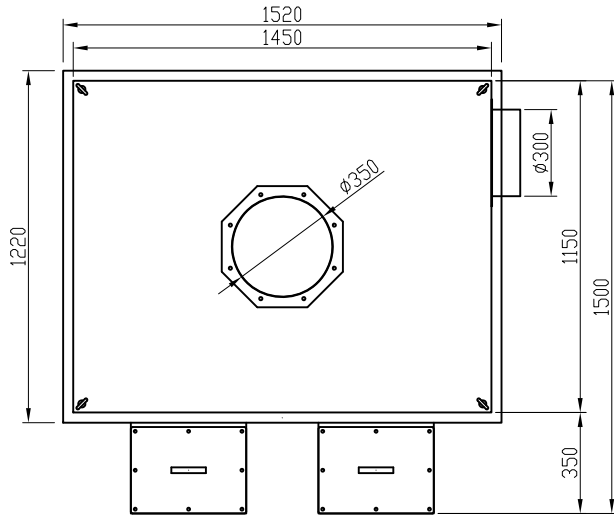
SPECIFICATION			
MODEL NAME	NAC-30	OPTION	-
FAN SPEC.			
FAN DIVISION	TURBO BLOWER		
AIR VOLUME	40 CMM	STATIC	230 mmAq
MOTOR	2.2 kw [ 3 HP ]	POWER	380V x 3P
FILTER SPEC.			
1ST	ACTIVATED CARBON	MATERIAL	CARBON
	SIZE	350 x 1100 x 900 x 2STAGET	AREA

\*\*\* PAINT COLOR \*\*\*

BODY : EX8816(S) 5Y 7/1

DOOR : EX8816-DIC546 1/2

 고객맞춤 대표 장비기 www-nanos.co.kr	SIZE	A3	CUSTOMER	-
	SCALE	1 / 1	TITLE	A/C TOWER
	DRAWN	APPROVED	NANOS DWG. NO.	NAC-30
	DATE			



1	CABINET	1	1450 x 1150 x 2300 x 2.3t
2	TURBO BLOWER	1	3.7kw x 60CMM x 230mmAq
3	CARBON INLET	2	400 x 300
4	CARBON	2	400 x 1150 x 1100
5	CARBON INLET	2	400 x 300
6	OUTLET FLANGE	1	ø350
7	LIFT LUG	4	I-NUT M12
8	POWER CABLE	1	V.C.T.F CABLE
9	CONTROL PANEL	1	CONTROL SWITCH
10	INLET FLANGE	1	ø300
11	CASTER	6	ROTATION 4' STOPPER

\*\*\* CHECK POINTS \*\*\*

A. ---

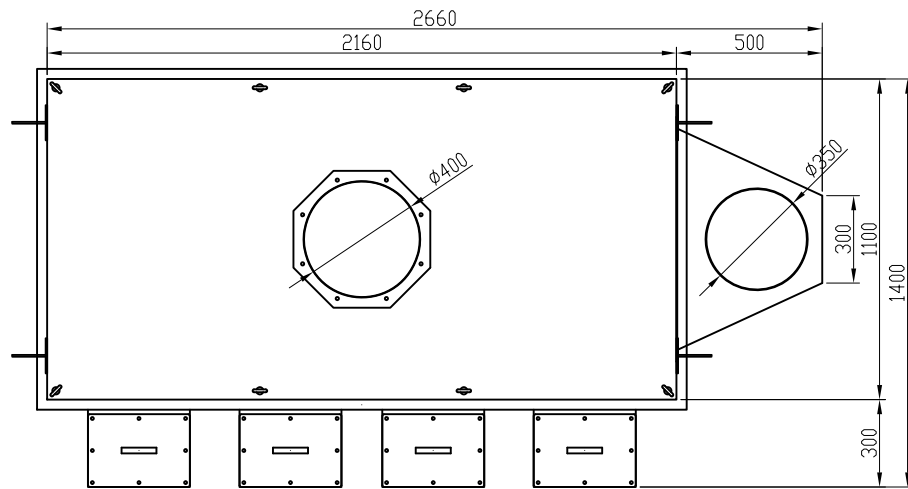
SPECIFICATION				
MODEL NAME	NAC-50	OPTION	-	
FAN SPEC.				
FAN DIVISION	TURBO BLOWER			
AIR VOLUME	60 CMM	STATIC	230 mmAq	
MOTOR	3.7 kw [ 5 HP ]	POWER	380V x 3P	
FILTER SPEC.				
1ST	ACTIVATED CARBON	MATERIAL	CARBON	
	SIZE	400 x 1150 x 1100 x 2STAGET	AREA	542 kg

\*\*\* PAINT COLOR \*\*\*

BODY : EX8816(S) 5Y 7/1

DOOR : EX8816-DIC546 1/2

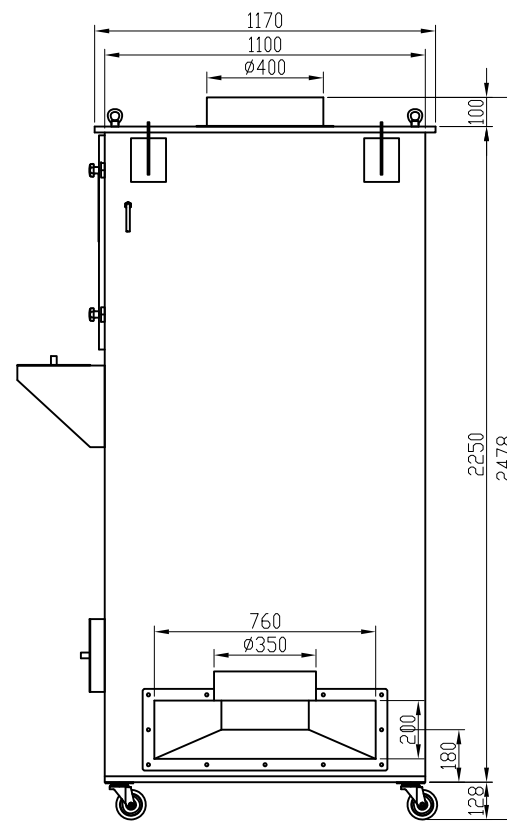
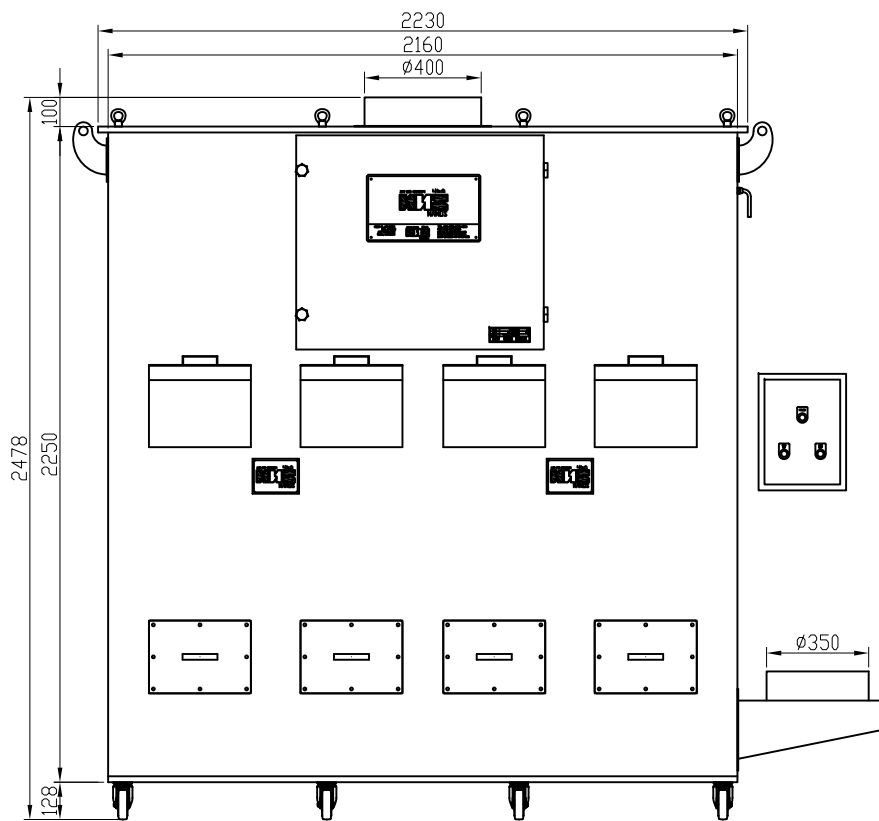
 고객맞춤 대표 장비기 www.nanos.co.kr	SIZE	A3	CUSTOMER	-
	SCALE	1 / 1	TITLE	A/C TOWER
	DRAWN	APPROVED	NANOS DWG. NO.	NAC-50
	DATE	12.06.01		



1	CABINET	1	2160 x 1100 x 2250 x 2.3t
2	TURBO BLOWER	1	5.5kw x 80CMM x 250mmAq
3	CARBON INLET	4	350 x 250
4	CARBON	4	350 x 1100 x 1000
5	CARBON INLET	4	350 x 250
6	OUTLET FLANGE	1	φ400
7	LIFT LUG	8	I-NUT M12
8	HEAVY LIFT LUG	4	SHACKLE LUG
9	POWER CABLE	1	V.C.T.F CABLE
10	CONTROL PANEL	1	CONTROL SWITCH
11	INLET FLANGE	1	φ350
12	CASTER	8	ROTATION 4' STOPPER

\*\*\* CHECK POINTS \*\*\*

A, ---



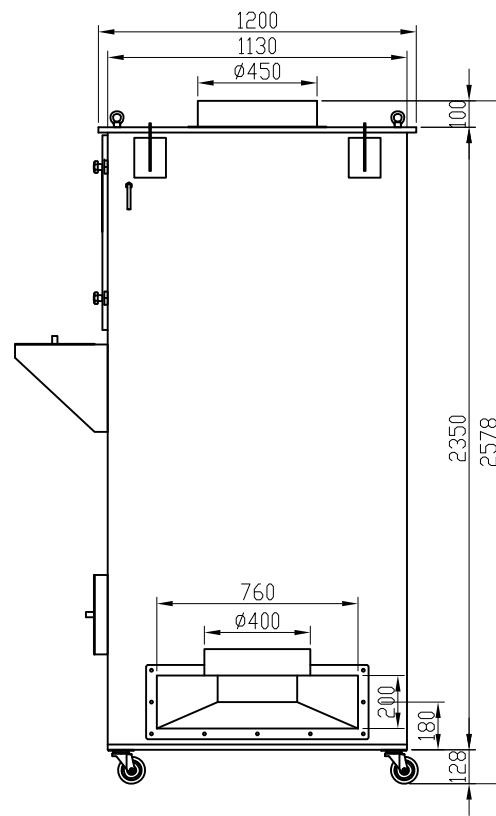
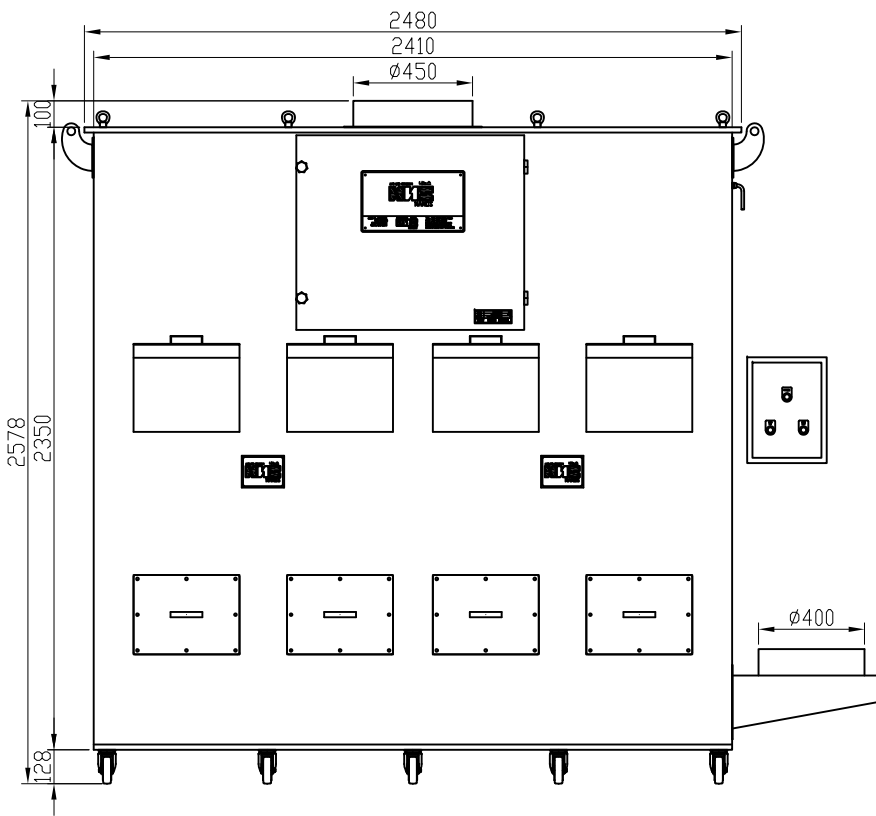
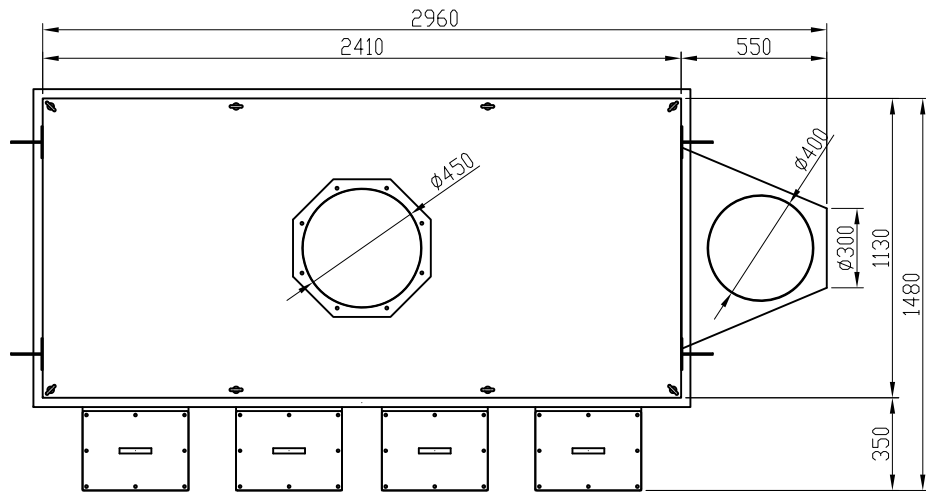
SPECIFICATION			
MODEL NAME	NAC-75	OPTION	-
FAN SPEC.			
FAN DIVISION	TURBO BLOWER		
AIR VOLUME	80 CMM	STATIC	250 mmAq
MOTOR	5.5 kw [ 7.5 HP ]	POWER	380V x 3P
FILTER SPEC.			
1ST	ACTIVATED CARBON	MATERIAL	CARBON
	SIZE 350 x 1100 x 1000 x 4STAGET	AREA	818 kg

\*\*\* PAINT COLOR \*\*\*

BODY : EX8816(S) 5Y 7/1

DOOR : EX8816-DIC546 1/2

 고객맞춤 대표 장비기 www-nanos.co.kr	SIZE	A3	CUSTOMER	-
	SCALE	1 / 1	TITLE	A/C TOWER
	DRAWN	APPROVED	NANOS	DWG. NO.
	B.B.M	-	NAC-75	
	12.06.01	-		



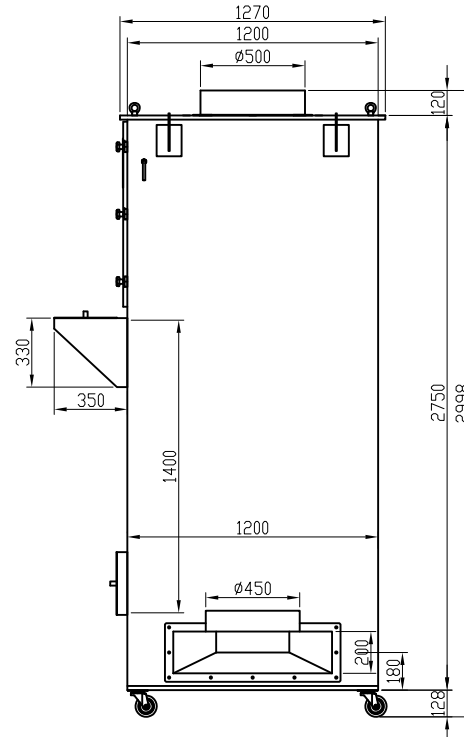
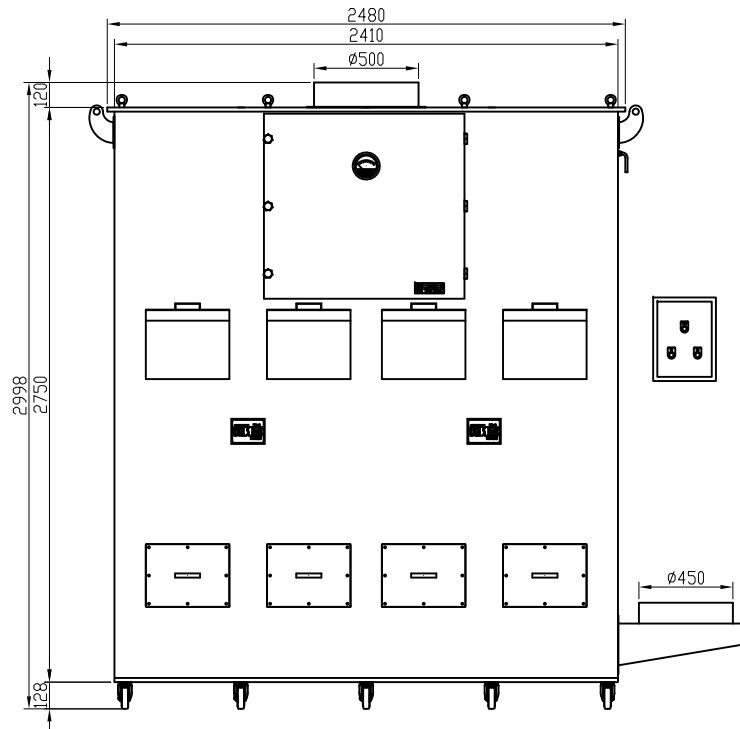
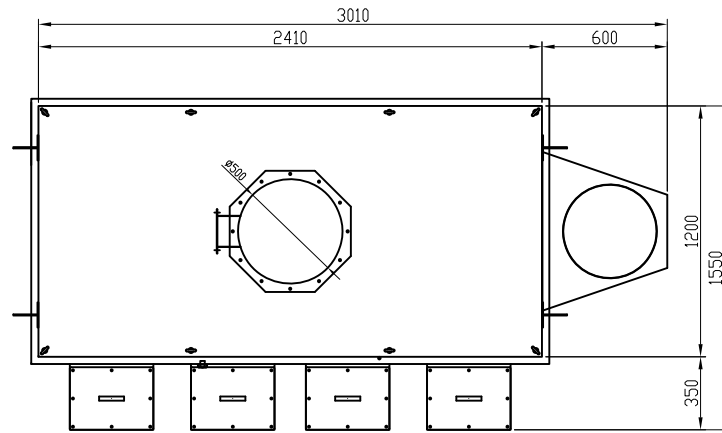
1	CABINET	1	2410 x 1130 x 2300 x 2.3t
2	TURBO BLOWER	1	7.5kw x 100CMM x 250mmAq
3	CARBON INLET	4	400 x 300
4	CARBON	4	400 x 1130 x 1050
5	CARBON INLET	4	400 x 300
6	OUTLET FLANGE	1	450
7	LIFT LUG	8	I-NUT M12
8	HEAVY LIFT LUG	4	SHACKLE LUG
9	POWER CABLE	1	V.C.T.F CABLE
10	CONTROL BOX	1	CONTROL SWITCH
11	INLET FLANGE	1	400
12	CASTER	10	ROTATION 4' STOPPER

\*\*\* CHECK POINTS \*\*\*  
A. ---

SPECIFICATION				
MODEL NAME	NAC-100	OPTION	-	
FAN SPEC.				
FAN DIVISION	TURBO BLOWER			
AIR VOLUME	100 CMM	STATIC	250 mmAq	
MOTOR	7.5 kw [ 10 HP ]	POWER	380V x 3P	
FILTER SPEC.				
1ST	ACTIVATED CARBON	MATERIAL	CARBON	
	SIZE	400 x 1130 x 1050 x 4STAGET	AREA	1020 kg

\*\*\* PAINT COLOR \*\*\*  
BODY : EX8816(S) 5Y 7/1  
DOOR : EX8816-DIC546 1/2

 고객맞춤 대표 장비기 www.j-nanos.co.kr	SIZE	A3	CUSTOMER	-
	SCALE	1 / 1	TITLE	A/C TOWER
	DRAWN	APPROVED	NANOS DWG. NO.	NAC-100
	DATE	12.06.01		



1	CABINET	1	2410 x 1200 x 2750 x 2.3t
2	TURBO BLOWER	1	11kw x 140 CMM x 250mmAq
3	CARBON INLET	4	400 x 300
4	CARBON	4	400 x 1400 x 1200
5	CARBON INLET	4	400 x 300
6	OUTLET FLANGE	1	ø500
7	LIFT LUG	8	I-NUT M12
8	MANDMETER	1	0 ~ 300mmAq
9	POWER CABLE	1	V.C.T.F CABLE
10	CONTROL PANEL	1	CONTROL SWITCH
11	INLET FLANGE	1	ø450
12	CASTER	10	ROTATION 4' STOPPER

SPECIFICATION				
MODEL NAME	NAC-150	OPTION	-	
FAN SPEC.				
FAN DIVISION	TURBO BLOWER			
AIR VOLUME	140 CMM	STATIC	250 mmAq	
MOTOR	11 kw [ 15 HP ]	POWER	380V x 3P	
FILTER SPEC.				
1ST	ACTIVATED CARBON	MATERIAL	CARBON	
	SIZE	400 x 1400 x 1200 x 4STAGE	AREA	1300 kg

\*\*\* PAINT COLOR \*\*\*  
BODY & DOOR : EX8816 4PB

 고객맞춤 대표 장비기 www.nanos.co.kr	SIZE	A3	CUSTOMER	-
	SCALE	1 / 1	TITLE	A/C TOWER
	DRAWN	APPROVED	NANOS DWG. NO.	NAC-150
	표준	-		
12.09.01	-			